

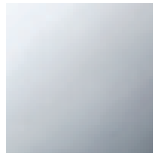


Sink - Madison

Single-hole lavatory mixer with drain - polished chrome

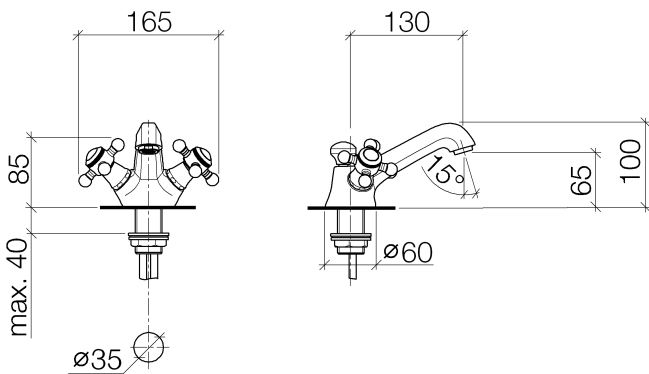
Article number: 22 500 360-00 0010

- 5-1/8" Projection
- US drain with overflow
- Rigid spout
- Round aerated stream
- Total height 3-7/8"
- Height to aerator/spout outlet 2-1/2"
- 1-3/8" hole diameter
- 2x 3/8" US flexible supply lines
- Water flow rate limited to max. 1.2 gpm
- lead-free
- Suitable only for basins with overflow.



polished chrome

Dimensional drawing

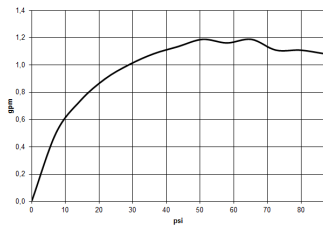




Sink - Madison
Single-hole lavatory mixer with drain - polished chrome
Article number: 22 500 360-00 0010

All dimensions in mm / inch = mm x 0,0394

Flow rate chart





Sink - Madison
Single-hole lavatory mixer with drain - polished chrome
Article number: 22 500 360-00 0010

Other surface finishes



platinum matte
22 500 360-06 0010



platinum
22 500 360-08 0010



Durabrass
22 500 360-09 0010



Dark Brass matte
22 500 360-16 0010



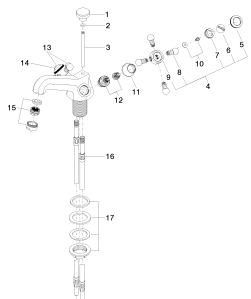
Dark Bronze matte
22 500 360-17 0010



Dark Platinum matte
22 500 360-99 0010

More custom finish options are available via special production (xTra Service). Please see our finish matrix for availability and pricing or contact a Dornbracht representative.

Spare parts list



18

Number	Item Number	Designation	Number of units
--------	-------------	-------------	-----------------